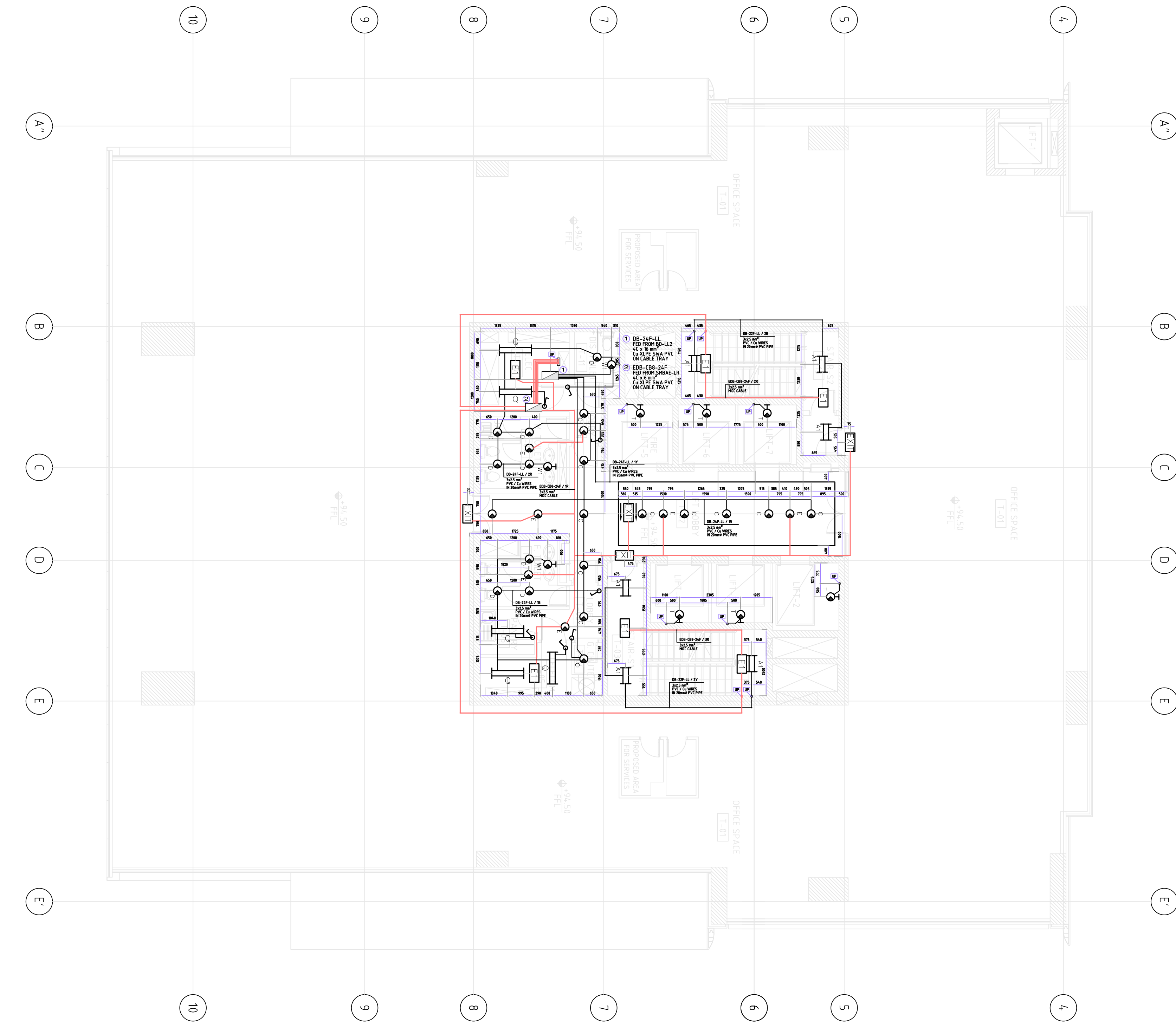
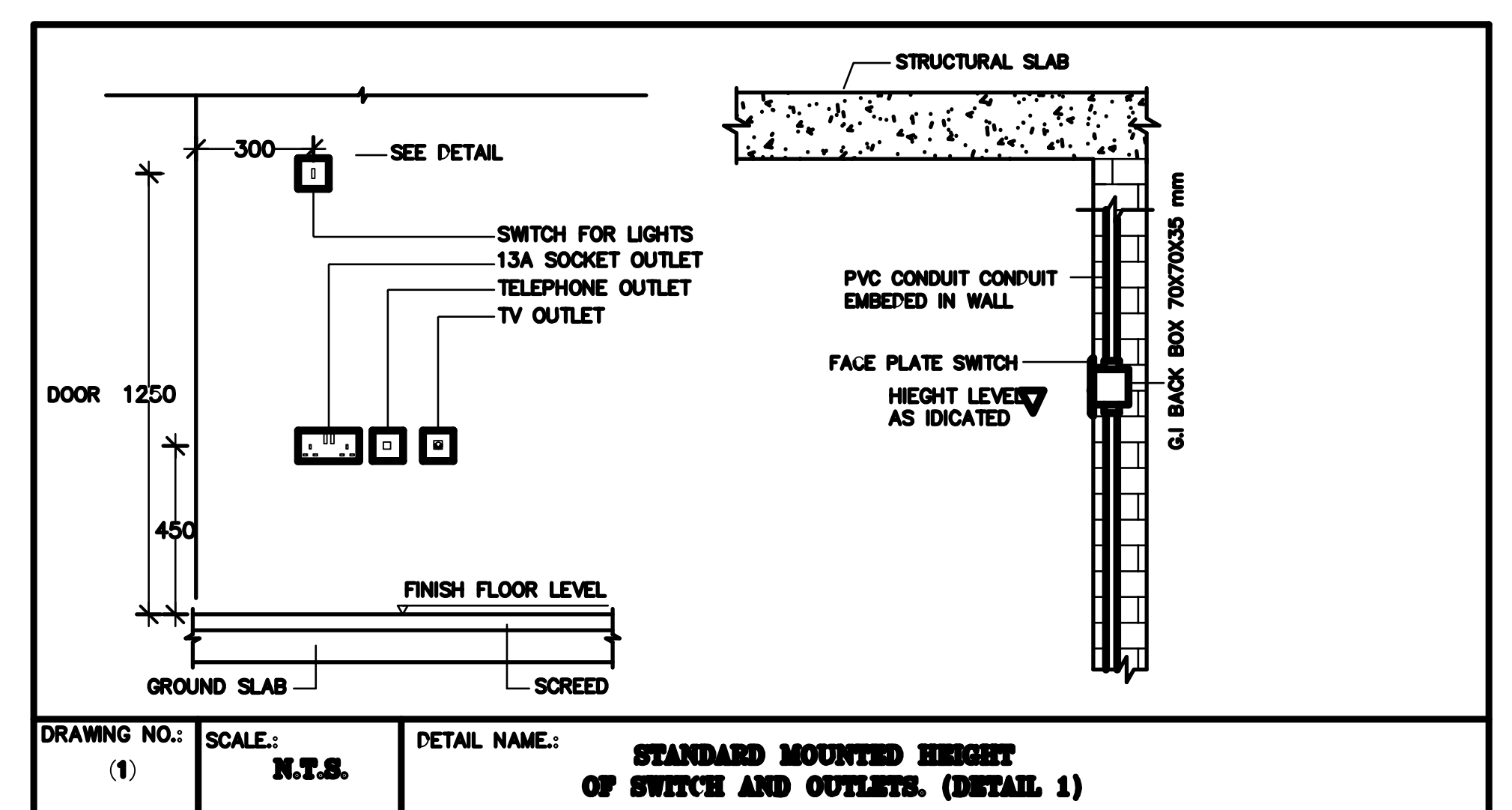
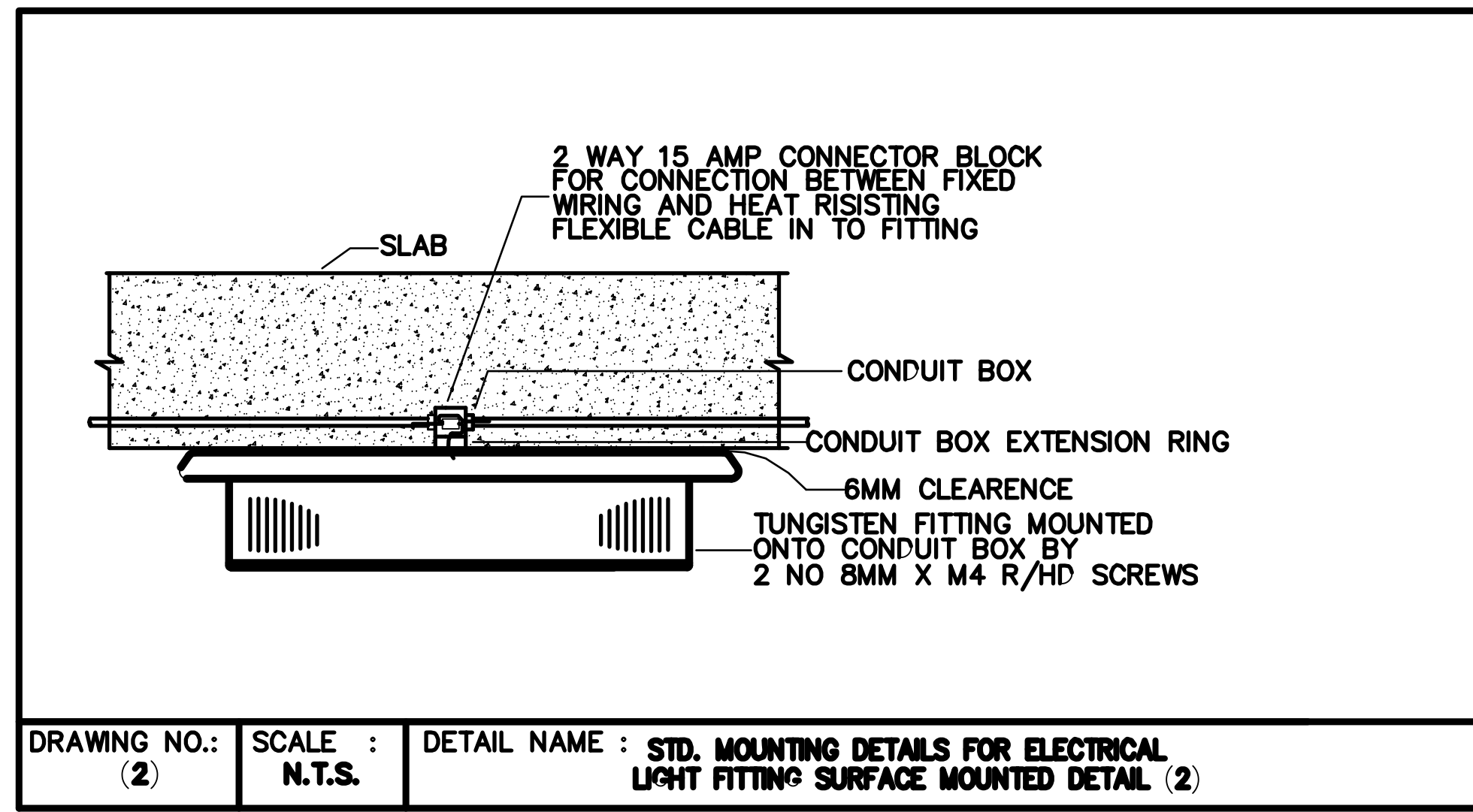
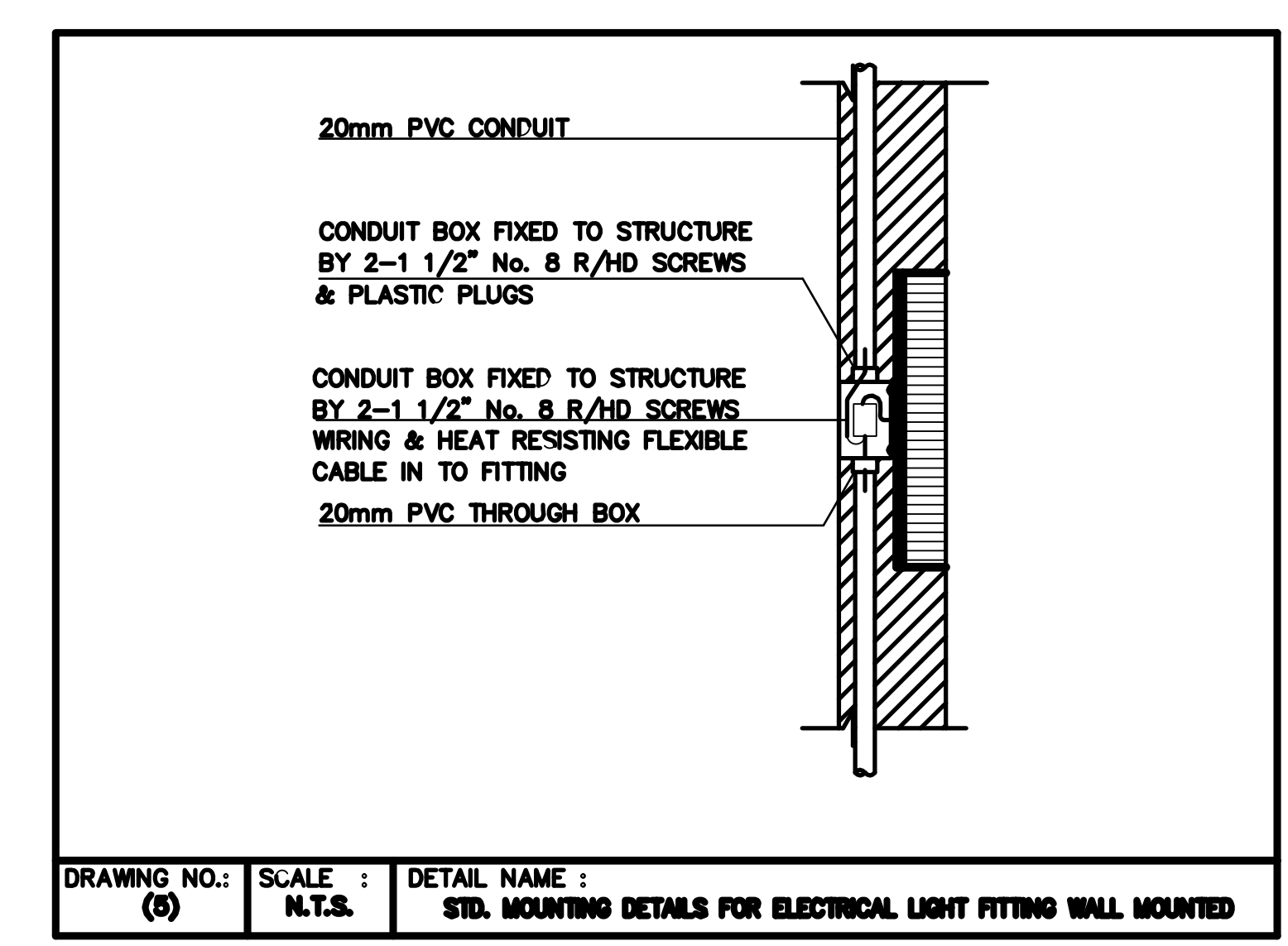
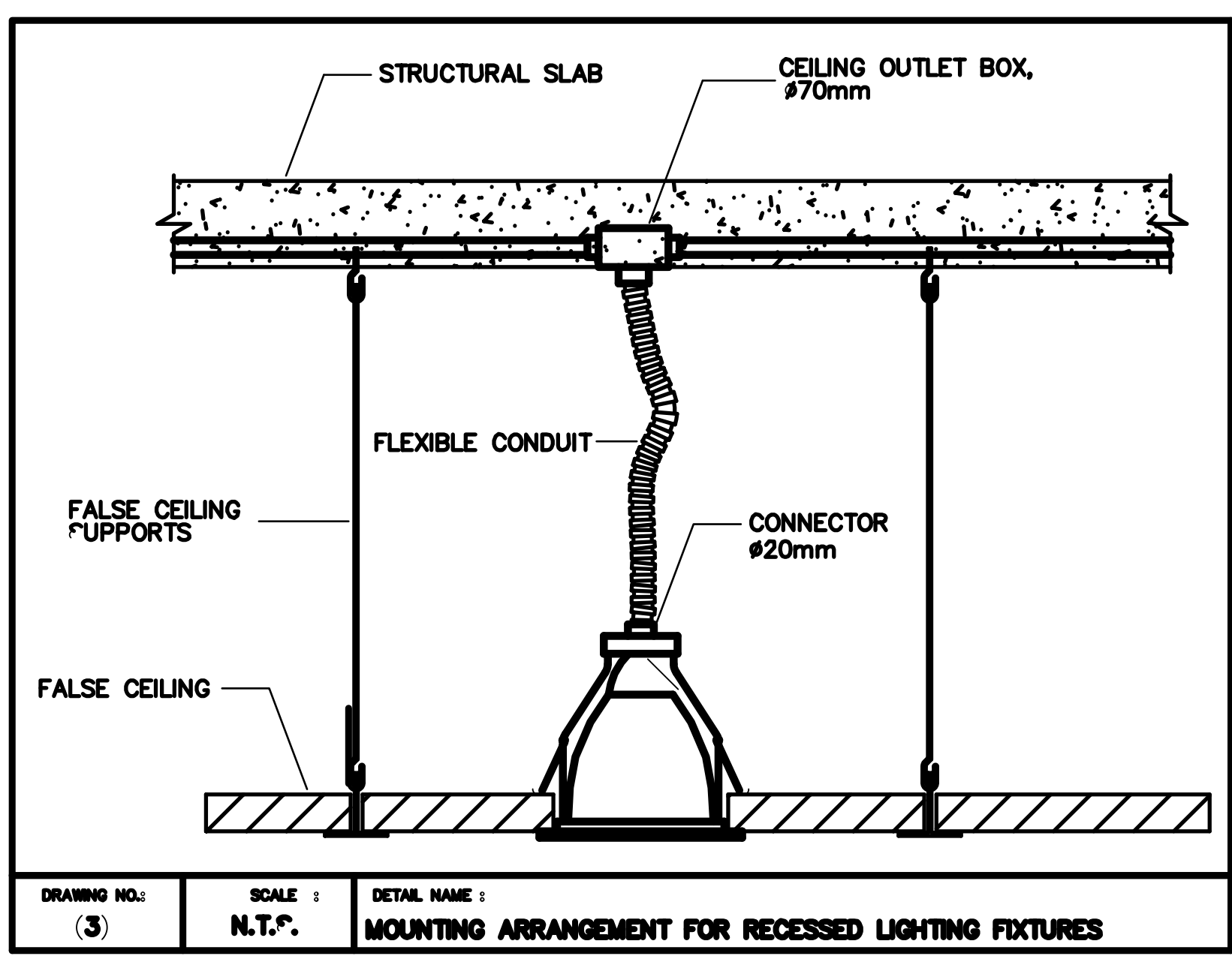
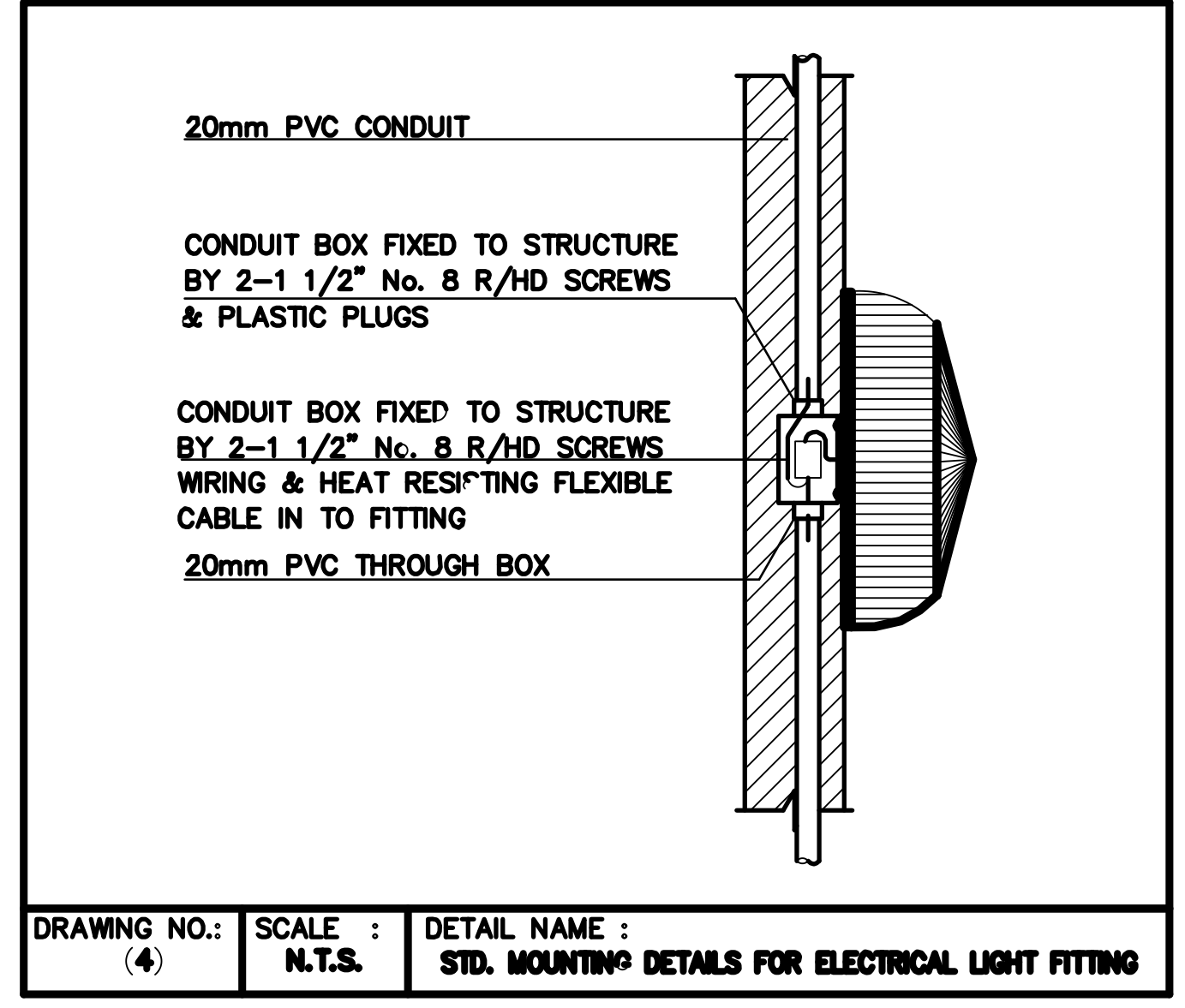


DB REF. & LOCATION		DB-24F-LL (24 TH FLOOR)										
FED FROM		REFER TO SCHEMATIC DIAGRAM										
FEEDER SIZE		REFER TO SCHEMATIC DIAGRAM										
* ELCB 30mA SENSITIVITY.												
WAY No.	PHASE COLOR	BREAK SIZE	DESCRIPTION	LOCATION	TYPE OF LOAD	WIRE SIZE	TYPE OF CABLE	CONTA. RATE (Amp)	CONTA. REF. No.	PHASE LOAD FR	PHASE LOAD Y	PHASE LOAD B
1	R	10	11x100	LIFT LOBBY	LTG	3x2.5	PVC	16	C1	1100		
	Y	16	14x100	LIFT LOBBY	LTG	3x2.5	PVC	16	C2		1400	
	B	10*	8x100	TOILET & ELEC & PANTRY	LTG	3x2.5	PVC					800
2	R	10*	9x100	TOILET & ELEC	LTG	3x2.5	PVC			900		
	Y	10*	SPARE									
	B	10*	SPARE									
3	R	16*	6x100	WATER HEATER	W/H	3x4	PVC			1200		
	Y	30*	6x100	PANTRY	RSD	4x4+2x2.5	PVC				600	
	B	16	6x100	WATER HEATER	W/H	3x4	PVC					1200
4	R	30*	4x100	LIFT LOBBY	RSD	4x4+2x2.5	PVC			400		
	Y	30*	2x100	TELECOM ROOM	RSD	4x4+2x2.5	PVC				200	
	B	10	FCU-T1	LIFT LOBBY	FCU	3x2.5	PVC					750
5	R	20*	2x100	HAND DRYER	G.P	3x4	PVC			2000		
	Y		SPARE									
	B	20*	2x100	HAND DRYER	G.P	3x4	PVC					2000
6	R		SPARE									
	Y		SPARE									
	B		SPARE									
LOAD BREAKDOWN												
A/C	W/H	COOKER	LIGHTING	GENERAL POWER	SUB-TOTAL	5600	2200	4750				
750	W	2400	W	—	W	4200	W	5200	W	T.C.L. (W)=	12550	W
750	W	2400	W	—	W	3360	W	4160	W	M.D.L.(W)=	10670	W

	DISTRIBUTION BOARD FP-FEDER PILLAR-METAL ENCLOSURE-IP-65
	8W, TUBULAR FLUORESCENT, EMERGENCY LIGHTTYPE, SURFACE MOUNTED TYPE, ELECTRONIC BALLAST ADDRESSABLE MODULE, COMPATIBLE WITH CENTRAL BATTERY SYSTEM.
	2X18W, FLUORESCENT FIXTURE, SURFACE MOUNTED, OPAL DIFFUSER, WITH HF ELECTRONIC BALLAST IP 40, SIMILAR TO PHILLIPS HOLLAND PART No. TOS-097-1XTLD 36W-HF.
	2x36W, FLUORESCENT FIXTURE, SURFACE MOUNTED, BODY MADE FROM INJECTION MOULDED POLYCARBONATE & POLYCARBONATE DIFFUSER, WITH HF ELECTRONIC BALLAST IP65, SIMILAR TO DISANO / ITALY Cdt. No. 931 ECHO, CEL-F / FL 2x36.
	36 W, COMPACT FLUORESCENT LIGHT, WALL MOUNTING LIGHTING FIXTURE, WITH DIE CAST ALUMINIUM HOUSING AND SAND FLASTED GLASS DIFFUSER, IP95, SIMILAR TO SIMES / ITALY Cdt. No. S.6779.
	10W, COMPACT FLUORESCENT RECESSED MOUNTED, EMERGENCY DOWN LIGHT ELECTRONIC BALLAST AND ADDRESSABLE MONITORING MODULE, COMPATIBLE WITH CENTRAL BATTERY SYSTEM COMPLETE WITH GLASS DIFFUSER.
	2x26W, COMPACT FLUORESCENT, DOWN LIGHT, RECESSED IN FALSE CEILING WITH SUPER PURE REFLECTOR AND FLUSH GLASS DIFFUSER, SIMILAR TO TARGETTI / ITALY, Cdt. No. COT-47320.
	63A PLUG IN TAP OFF UNIT
	8W, T5 FLUORESCENT LIGHT, WALL / PENDANT MOUNTED, SEMIRECESSED IN FALSE CEILING (ALL AS APPLICABLE), COMPLETE WITH PICTOGRAM LEGENDS, LUMINAIRE ENCLOSURE MADE FROM POLYCARBONATE, MAINTAINED MODE, COMPLETE WITH ADDRESSABLE HF BALLAST SUITABLE FOR CENTRAL BATTERY OPERATION, WEATHER PROOF (WHERE APPLICABLE), SIMILAR TO CEAG / GERMANY
	1 GANG ONE WAY SWITCH D : FOR DIMMER WP : WEATHER PROOF C : METAL CLAD



DB REF. & LOCATION		EDB-CB8-24F (24 TH FLOOR)										
FED FROM		REFER TO SCHEMATIC DIAGRAM										
FEEDER SIZE		REFER TO SCHEMATIC DIAGRAM										
* ELCB 30mA SENSITIVITY.												
WAY No.	PHASE COLOR	BREAK SIZE	DESCRIPTION	LOCATION	TYPE OF LOAD	WIRE SIZE	TYPE OF CABLE	CONTA. RATE (Amp)	CONTA. REF. No.	PHASE LOAD FR	PHASE LOAD Y	PHASE LOAD B
1	R	10	11x10	LIFT LOBBY (24TH)	LTG	3x2.5	MICC			110		
2	R	10	4x10	STAIR	LTG	3x2.5	MICC			40		
3	R	10	4x10	STAIR	LTG	3x2.5	MICC			40		
4	R	10	9x10	LIFT MACHINE ROOM	LTG	3x2.5	MICC			90		
5	R	10	10x10	ELEC & STORE ROOM	LTG	3x2.5	MICC			100		
6	R	10	SPARE									
7	R	10	SPARE									
8	R	10	SPARE									
9	R	10	SPARE									
10	R	10	SPARE									
LOAD BREAKDOWN												
A/C	W/H	COOKER	LIGHTING	GENERAL POWER	SUB-TOTAL	380						
—	W	—	W	—	W	380	W	—	W	T.C.L. (W)=	380	
—	W	—	W	—	W	380	W	—	W	M.D.L.(W)=	380	



SUB CONTRACTOR:
T & C QATAR L.L.C. – C.R. 35109
P.O. Box: 2329 DOHA, QATAR
TEL: (+974) 4421 833 / 4930 614
FAX: (+974) 4410 553 / 4930 614



CONSULTANT:
ARAB ENGINEERING BUREAU
المكتب العربي للتقنية الهندسية
ARAB ENGINEERING BUREAU
شركة المهندسين العرب للتقنية الهندسية
Telephone: (+974) 4421 833 Fax: (+974) 4410 553 P.O. Box: 448 Doha Qatar
Email: info@aeq.com.qa Web: www.aeq.com.qa

DESIGNER:
GHD
GHD
P.O. Box: 14302 Doha Qatar
T: (+974) 4421 833 F: (+974) 4410 553
E: ghd@ghd.com.qa www.ghd.com.qa

MAIN CONTRACTOR:
AL MADAR CONTRACTING
P.O. Box: 2329 DOHA, QATAR
TEL: (+974) 4675405 – 4674466
FAX: (+974) 4671333 – C.R.: 15061
WEB SITE: www.almadar-group.com
Email: conteng@almadar-group.com

OWNER:
ALI ABDUL REDA MASHHADI

PROJECT:
AL NOOR OFFICE TOWER AT NEW DOHA
2B+G+F+22 FLOORS

DRAWING TITLE:
24 TH FLOOR PLAN
LIGHTING LAYOUT

DRAWING REFERENCE:
75-10288-E000 - LIGHTING LEGEND & GENERAL NOTES
75-10288-E401-403 - DISTRIBUTION BOARD DETAILS
75-10288-E702-703 - LIGHTING GENERAL DETAILS
75-10288-E106 - 24 TH FLOOR LIGHTING LAYOUT

DRAWN BY: D. CESARONI

CHECKED BY: M. SHAMIMUDDIN

APPROVED BY: M. MOHAMUD

DATE: 11.07.07

SCALE: 1:100 SIZE: A0

REVISION: 0

DATE: 11.07.07

DRAWING NO.: TC01E3T01028_L24
SHEET: 1 OF 2